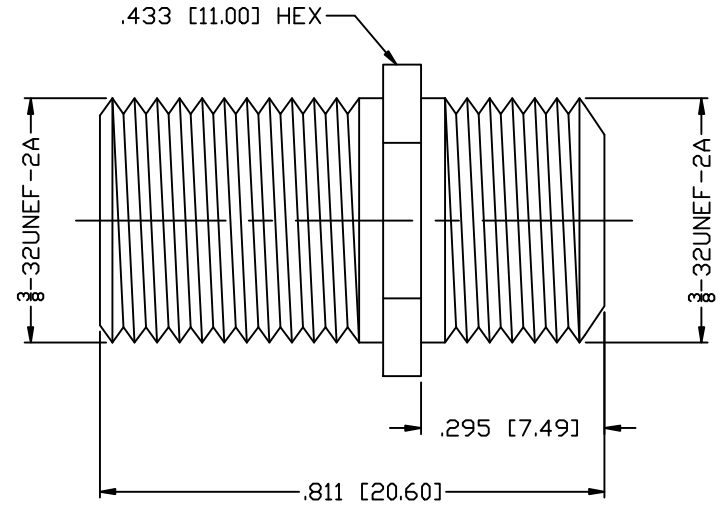
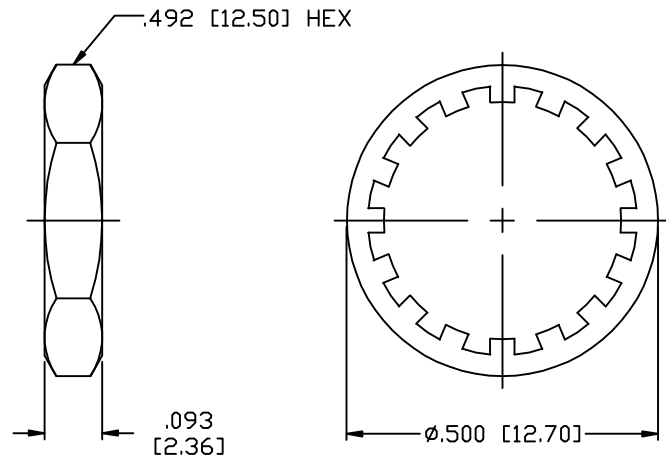


PART NO.		<b>RFF-1477</b>		
REV	DESCRIPTION	DWN	DATE	APPROVED
-	ENGINEERING RELEASE	CZS	03/24/11	JDMc



**SPECIFICATIONS:**

IMPEDANCE: 75 Ohms  
 FREQUENCY RANGE: 0-1 GHz  
 WORKING VOLTAGE: 500 V rms max. @ sea level

5	HEX NUT	1	ZINC	NICKEL
4	LOCK WASHER	1	FE	NICKEL
3	CONTACT	1	FE	NICKEL
2	INSULATOR	2	PE	---
1	BODY	1	ZINC	NICKEL
#	DESCRIPTION	QTY	MATERIAL	FINISH

CUSTOMER OUTLINE DRAWING	
ALL DIMENSIONS ARE REFERENCE ONLY	
UNLESS OTHERWISE SPECIFIED: DIMENSIONS ARE IN INCHES AND [MILLIMETERS]	
DRAWN C. ZUNIGA	03/24/11
CHECKED	
ORJ DRAWN C. ZUNIGA	03/24/11

**RoHS COMPLIANT**

PROPRIETARY AND CONFIDENTIAL  
 THIS DRAWING CONTAINS  
 INFORMATION PROPRIETARY TO  
 RF INDUSTRIES. ANY  
 UNAUTHORIZED USE OF THIS  
 DRAWING IS EXPRESSLY  
 PROHIBITED WITHOUT WRITTEN  
 PERMISSION FROM RF  
 INDUSTRIES. ANY VIOLATION IS  
 PUNISHABLE UNDER U.S.  
 COPYRIGHT LAWS.

**RFconnectors** 7610 MIRAMAR RD.  
 SAN DIEGO, CA 92126  
 (858) 549-6340  
 DIVISION OF RF INDUSTRIES, LTD. (858) 549-6345 FAX

**F JACK TO F JACK**  
 REAR MOUNT BULKHEAD ADAPTER

SIZE A	CABLE GROUP N/A	DWG NO. <b>RFF-1477</b>	REV ---
SCALE: NTS	ENGINEERING ID: 000367	SHEET 1 OF 1	